

halfords
SINCE 1892

4 Person Dome Tent

Helpful hint: Practice pitching your tent before you go away. This ensures that you are familiar with the tent and is especially valuable if you have to pitch in adverse weather conditions.

Unpacking your tent

- Check the ground where you intend to pitch the tent is free from rocks and sharp objects
- Before assembly please check you have the following:
 - 1 x Outer tent
 - 1 x Folding carry bag
 - 1 x Inner tent compartment (bedroom)
 - 2 x 9.50mm Black fibre glass poles (A)
 - 1 x 8.50mm Grey fibre glass poles (B)
 - 2 x 16mm Multi-section steel poles
 - 20 x Steel pegs (for outer tent and guy ropes)
 - 1 x Ground sheet

Step 1

- After checking the tent bag contents remove the outer tent from the carry bag and lay out the outer tent on the ground. Ensure all doors are zipped closed. Next feed the colour coded poles carefully through the colour coded pole sleeves ensuring the pole does not snag in the sleeve(1.1) (this is a two person operation)

Step 2

- With two people at opposite corners of the main dome, attach the pins into the ends of the poles(2.1). You are now ready to attach the opposing metal pins to each of the poles, as you apply pressure to the pole the tent will form the shape of the intended arc. Make sure that the pole is not snagged or restricted as damage to the pole and / or the sleeve could occur if care is not taken during this part of assembly
- Tension the porch pole. Using the wire pegs, peg out the rings at the base of each pole, the two front corners of the outer tent and all other elastic loops around the base of the outer tent. Always drive pegs at an angle of 45° to the ground. (2.2)

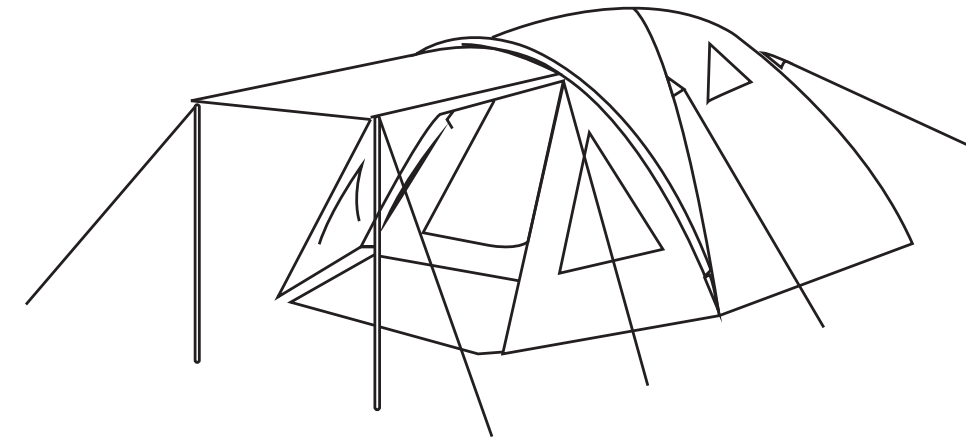
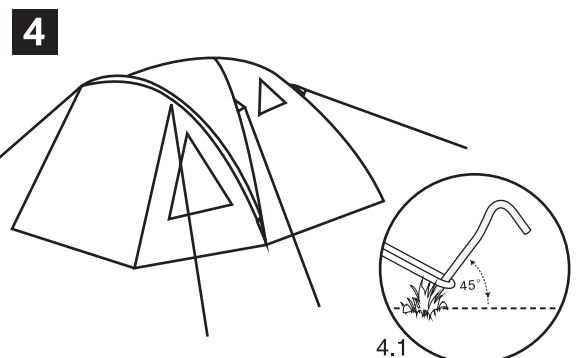
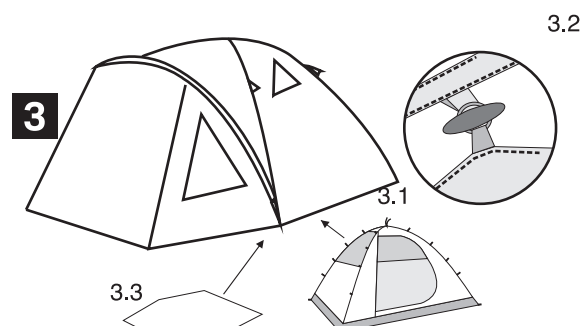
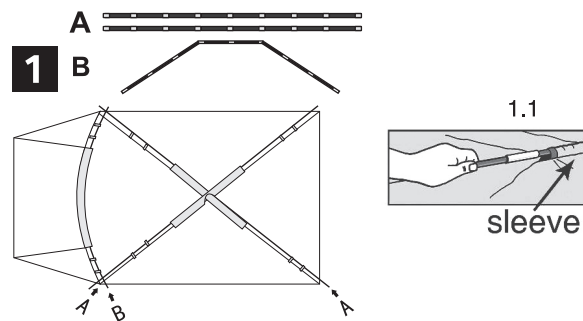
Step 3

- Remove the inner tent from the carry bag and take it inside the tent. (3.1) Position it at the rear of the tent, ensuring that the door zips are closed and are facing outward
- Peg out the inner tent / bedroom groundsheet in the centre of the main dome of the tent.
- Attach all of the elasticated toggles(3.2) of the inner tent to the plastic rings sewn into the outer tent
- Place in position. Peg out the groundsheet (3.3) and tuck the extended flap under the front of the inner tent / bedroom. Make sure the pegs are level with the ground surface, to prevent trip hazards

Images for illustration purposes only.

CONTACT US

Halfords Ltd, B98 ODE.
Produced for Halfords.
www.halfords.com
Item Code: 506070
ROI: Halfords c/o DWF, Dublin 1



Step 4

- Unravel all guy ropes and begin pegging in place. (do not tension at this stage) always drive pegs at an angle of 45° to the ground (4.1)
- With the second person at opposing corners of the tent begin tensioning the guy ropes to give the tent full stability and correct form, the guy ropes will require re-tensioning periodically during the time the tent is pitched
- Evenly tensioned guy ropes will reduce the risk of damage to poles and sleeves during adverse weather
- If required, pitch the door as a canopy, using the steel porch poles and guy ropes



When taking your tent down, always push the poles through the sleeves - never pull them. It is recommended that at least two people take down this tent.

Taking down your tent

- Slacken all the guy ropes and remove all pegs
- Carefully detach the ends of the poles from the metal pins
- Please be careful as the poles will be under considerable pressure, firmly grasp the pole when removing
- Carefully push the pole through the sleeves (best with two people) and make sure the pole ferrules do not snag on the sleeve
- Remember to never simply pull the poles as the elastic may break.
- Fold the flysheet to the desired size to fit the bag. Place the pegs and poles back into their the bag and put into the carry bag
- If the tent is wet or damp please remember that the tent will need to be unpacked and allowed to dry fully. Failure to do this may result in damage to the tent

Replacement poles are available for this tent - ask a member of the Halfords store team for details

General Information

Filename: HAL4935_90919_506070 - 4P Double Skin Dome Tent - Manual_Repro
Creation Date: 17.08.21
Project: HAL4935_90919
Brand: Halfords
Description: 4P Double Skin Dome Tent - Manual
Component: Name
Supplier: Name

Barcode Information

Code:
Type:
Magnification:
Height: XX mm
Width Reduction:

Print Information

Print Spec Used: ITG2021
Print Process: Litho
Additional Stations: Not Known
Special Finishes: Matt Varnish

Tech Drawing Ref: 506070 Halfords 4 man dome double skin _20210806.pdf
Labelling Ref: BriefDetail_HAL4935_90919.pdf
Artwork Area: 349.956 x 234.95 mm
Colour Profile: Coated FOGRA39 (ISO 12647-2:2004)
Software/Version: Adobe Illustrator 25.3.0 (CC2021)

Printed Inks

Process Black

Technical Inks

CUTTER
LEGEND1
LEGEND2

Artworker

Harvey
Harvey
Daljit
REF - Release

Date

17.08.21
18.08.21
26.08.21
29.08.21

halfords
packaging artwork

Acc Mgr: Aisha Masood
Email: aishamasood@teamitg.com
Mobile: 07834 740791

Prod Mgr: Richard Wakefield
Email: richardwakefield@teamitg.com
Direct: 07899 817418

teamitg

315 Fort Dunlop, Fort Parkway
Birmingham, B24 9FD • teamitg.com

In the absence of a supplied print specification, repro is produced to an ITG generic spec. A copy of this specification will be available upon request from repro@itg.co.uk. ITG do not accept responsibility for print specific errors in the absence of a supplied print specification.

